

Research Grade Arc Lamp Power Supplies

60 I - series: 75W-300W

6 I I - series: 500W-1600W



Features

- Powers Sciontech LH and XLH series lighthouses
- Includes convenient touchscreen and computer controlled software
- Lamp life counter
- Shutter control, Temperature monitoring and auto start (optional)

1450 Global Drive, London, Ontario Canada, N6N 1R3
Phone: 519 644 0135 / Fax: 519 644 0136
Email: sales@sciontech-inc.com
www.sciontech-inc.com



Research Grade Arc Lamp Power Supplies

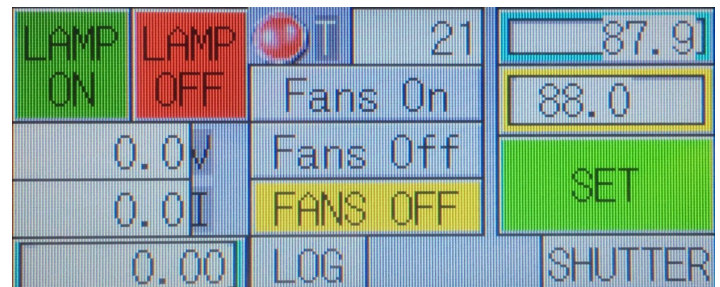
Sciencetech's 60I- and 61I- series power supplies are designed for use with Xenon and Hg-Xe short arc lamps. They are compatible with Sciencetech's LH and XLH series lamp houses, respectively. But can be adapted to be used with third party lamp houses.

Standard features include:

- A touchscreen interface
- Shutter¹ and exposure control
- Single cable connection for lamp power, cooling and safety interlock.
- Integrated logging for lamp starts and total running hours
- RS232 communication
- LabView, DotNet, ActiveX and standalone software for control available
- Auxiliary² rear panel 24VDC connection



[60I- Series Power Supply](#)



Power Supply Touch Interface

Lamp Housing Series	Bulb Wattage	Power Supply Model Required
LH	75W	60I-075
	100W	60I-100
	150W	60I-150
	300W	60I-300
XLH	500W	61I-500
	1000W	61I-1k
	1600W	61I-1.6k

Notes:

1) Requires purchase of a shutter. High speed shutters require a separate controller

For ordering, ensure that your power supply model matches your system's arc lamp wattage.

2) Additional interlock can be wired to auxiliary connector on request

Optional Upgrades:

- Temperature monitor
- Optical feedback
- Remote lamp status monitoring
- Auto lamp starting
- External Igniter

Research Grade Arc Lamp Power Supplies

Specifications

601- and 611- Series Power Supplies						
Model	601-075	601-150	601-300	611-500	611-1K	611-1.6K
Part Number	150-9103	150-9101	150-9100	150-9150	150-9151	150-9152
Types of Lamps	Xe, and HgXe					
Input Voltage (AC)	100-240				208-240 ⁴	
Current Requirement (AC)	5A	5A	5A	10A	10A	15A
Output Current, Adjustable (A)	4-6	8-12	15-20	10-35	10-55 ⁴	10-75
Nominal Power (W)	75	150	300	500	1000	1600
Efficiency	> 80%					
Stability	<0.5%					
Line Regulation	<0.2%					
Current Ripple	<0.5% of maximum output current					
Ambient Operating Temperature	0°C-40°C (32°F-104°F)					
Ignition Voltage	21kV			>30kV		
Cooling Fan Interconnection	Yes					
Dimensions (mm)	88 × 330 × 430			140 × 330 × 430		
Weight (kg)	6			7.5		
Notes	¹ Limited to maximum power with power fold-back circuit ² All models are constant current power supplies ³ Igniters are not built into either the 601 or the 611 power supply series, please see our external igniter options. ⁴ A 120VAC version of the 611-1k supply is available with reduced current output (50A)					



Research Grade Arc Lamp Power Supplies

Configuration

Additional features can be added to the 60I- and 61I-series power supplies. Select from the options below or ask one of our technical salespeople about your custom requirement.

60I- and 61I- series Power Supply Options			
Upgrade Option	Code	Part #	Description
Programmable Remote Temperature Monitor	-TM	152-8001	The programmable remote temperature monitor option provides over temperature protection for the lamp house that the power supply is being used with. With this option, an RTD or K-type Thermocouple is wired between the lamp house and power supply. A programmable temperature sensor with relay output is used to program a maximum lamp house temperature. This option ensures that if the cooling fans fail or the temperature inside the housing rises to a dangerous level the power supply will be shut off extinguishing and saving the lamp from catastrophic failure.
Monitor Output	-OC	152-8002	This option provides a male nine pin connector on the rear of the power supply for monitoring the status of the power supply. Parameters that can be monitored: lamp current 0-10V, lamp voltage 0-10V, lamp On/Off (1-5V TTL).
Auto Start Lamp	-AS	152-8003	The option provides the capability to automatically start the lamp. This allows the user to set a time for the light source to automatically ignite.
Light Intensity Stabilizer	FS-02-N	115-9027	The FS-02-N option integrates a feedback board into the power supply. If purchased with a Sciencetech lamp house (LH or XLH series) an optical detector is also integrated inside the lamp house to integrate with the feedback electronics.
External Igniter	60I-EXIGN 61I-EXIGN	150-8701 150-8702	To use the 60I or 61I series supplies with a legacy Sciencetech lamp house (20I-100) or third party lamp house requires an external igniter. For the 60I series supplies pick the 60I-EXIGN product. For the 61I series supplies pick the 61I-EXIGN product.

60I/61I/EXIGN External Igniters

The 60I-EXIGN and 61I-EXIGN are external igniters designed for the 60I and 61I series power supplies, respectively.

These products come supplied with a standard 6' cable to connect to the power supply. The output of the igniter is two 20" long hard wired high voltage rated cables for attaching directly to a lamp anode and cathode terminals. Extending the HV cables is not recommended.

The EXIGN products are designed to be used with legacy Sciencetech lamp houses or custom or third party Xenon, Hg, or Xe-Hg lamp houses. Please indicate the intended use at time of order.

WARNING! HV is very dangerous. The 60I-EXIGN is capable of delivering a 21kV pulse. WARNING! HV is very dangerous. The 61I-EXIGN is capable of delivering a >30kV pulse.



FS-02-N Light Intensity Stabilizer

The FS-02-N integrates with Sciencetech's 60I and 61I range of power supplies. The FS-02-N feedback board is integrated into the power supply. A feedback cable connects the board to an electro-optical circuit inside a Sciencetech LH or XLH lamp house (also available with some solar simulator and custom light source products).

With the FS-02-N you can program the 60I or 61I power supply to securely maintain the current optical power level. The FS-02-N system will monitor the optical power level inside the lamp house and adjust the power supply current to maintain that optical power.

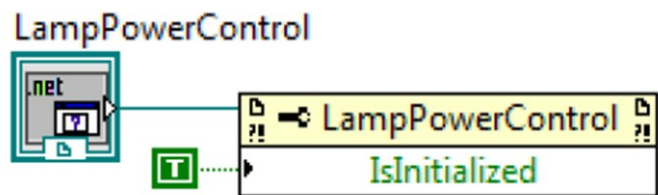
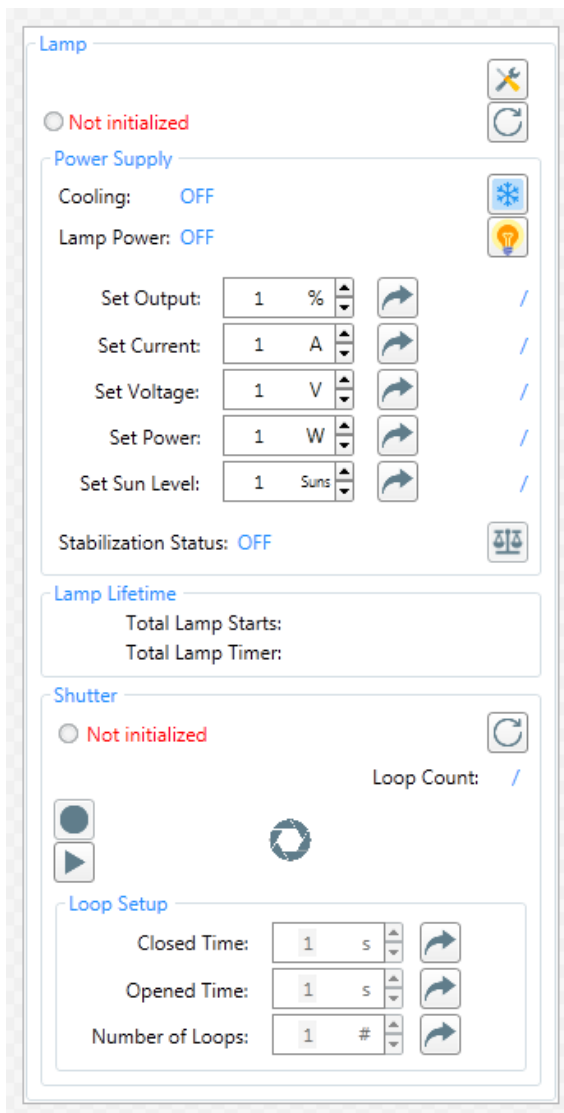
The FS-02-N is capable of maintaining stable power levels for long periods of time. The stabilizer does not improve the short term stability of the lamp. Sample data can be provided upon request.

[Browse Sciencetech's Power Supplies:](#)

Research Grade Arc Lamp Power Supplies

Control

Sciencetech's 60I and 61I series power supplies can be controlled and operated using **DotNET**, **ActiveX**, and **LabView**. The 60I and 61I series supplies can be integrated into Sciencetech's fully featured instrument control software **SciSpec**. Sciencetech's software and controls team is eager to hear about your customer software or control requirement!



LabView Example Control



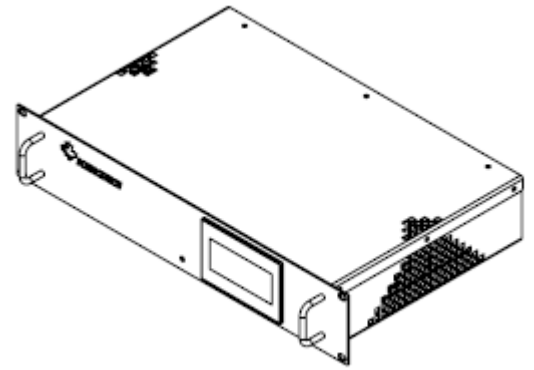
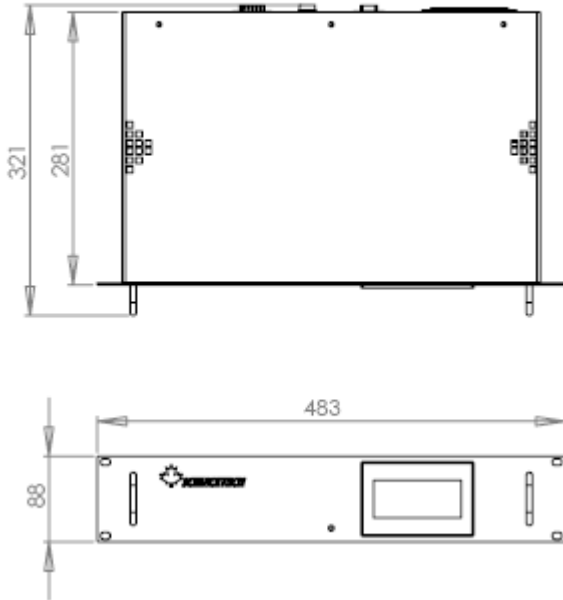
DotNET object for Power Supply and Shutter Control

[Browse Sciencetech's Power Supplies:](#)

Research Grade Arc Lamp Power Supplies

Dimensions (mm)

60I Series



61I Series

